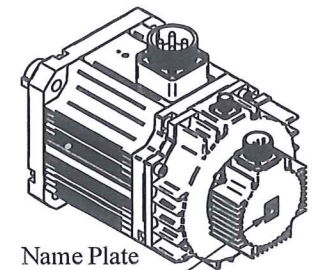


No.	Item	Symbol	Unit	Specification	No.	Item	Symbol	Unit	Specification
1	Drive	-	-	3 $\phi$ 220 VAC	13	Rotor Inertia	Jm	kg-cm <sup>2</sup>	61.58
2	Cooling Method	-	-	Totally Enclosed	14	Rated Power Rate	Q-R	Kw/s	127.31
3	Exciting Method	-	-	Permanent Magnet	15	Resistance	Ra	$\Omega$	0.167 $\pm$ 10%/2 $\phi$
4	Resolution	-	-	17BIT ABS	16	Inductance	L	mH	4.3 $\pm$ 10% / 2 $\phi$
5	Rated Output	P-R	W	4400	17	Mech. Time Constant	Tm	ms	1 $\pm$ 10%
6	Rated Torque	T-R	N-m	28	18	Elect. Time Constant	Te	ms	25.81 $\pm$ 10%
7	Max. Torque	T-max	N-m	70	19	Insulation Class	-	-	Class F
8	Rated Speed	N-R	rpm	1500	20	Operation Temp.	T	$^{\circ}$ C	0~40
9	Rated Current	I-R	A	23.6	21	Operation Humd.	RH	%	<80
10	Max. Current	I-max	A	59	22	Storage Temp.	T	$^{\circ}$ C	-20~-60 $^{\circ}$
11	Torque Constant	Kt	N-m/A	1.19 $\pm$ 10%	23	Storage Humd.	RH	%	<80
12	Voltage Constant	Ke	V/krpm	79 $\pm$ 10%	24	Weight	W	kgw	26

PIN	Signal
B	+5V
I	0V
A	VB+
C	VB-
H	SD+
D	SD-
G	
E	
F	FG

Pin	Signal
A	U
B	V
C	W
D	FG

Pin	Mark
A	0
B	24V
C	



Motor Wiring

Brake Wiring

Name Plate for Notice

Encoder Wiring

Military connector MS3102A10SL-3P

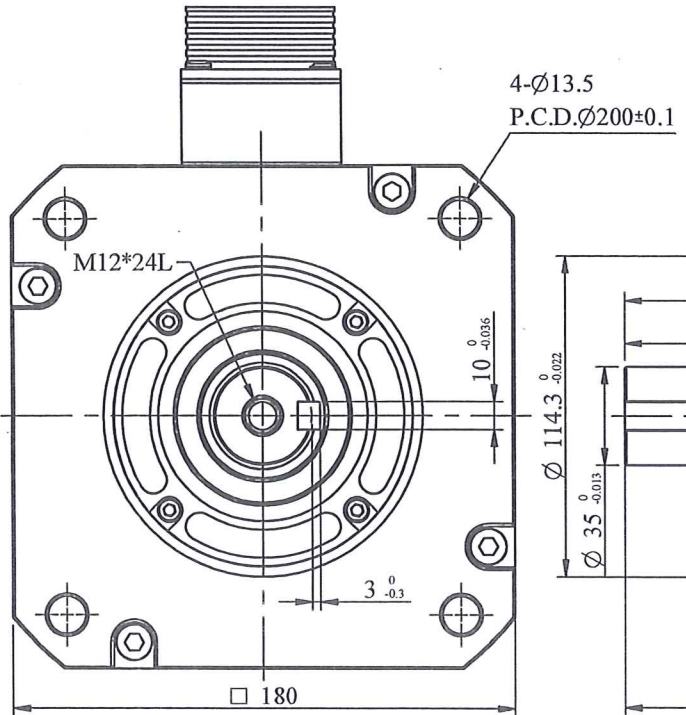
Military connector MS3102A20-18P

**AC SERVO MOTOR**  
 Model: JSMA-PIH44AAKB  
 Pr: 4.4 KW ; Nr: 1500 rpm  
 Ir: 23.6 A , Tr: 28 N-m  
 NO.  
**TECO ELECTRIC & MACHINERY CO., LTD.**  
 MADE IN TAIWAN

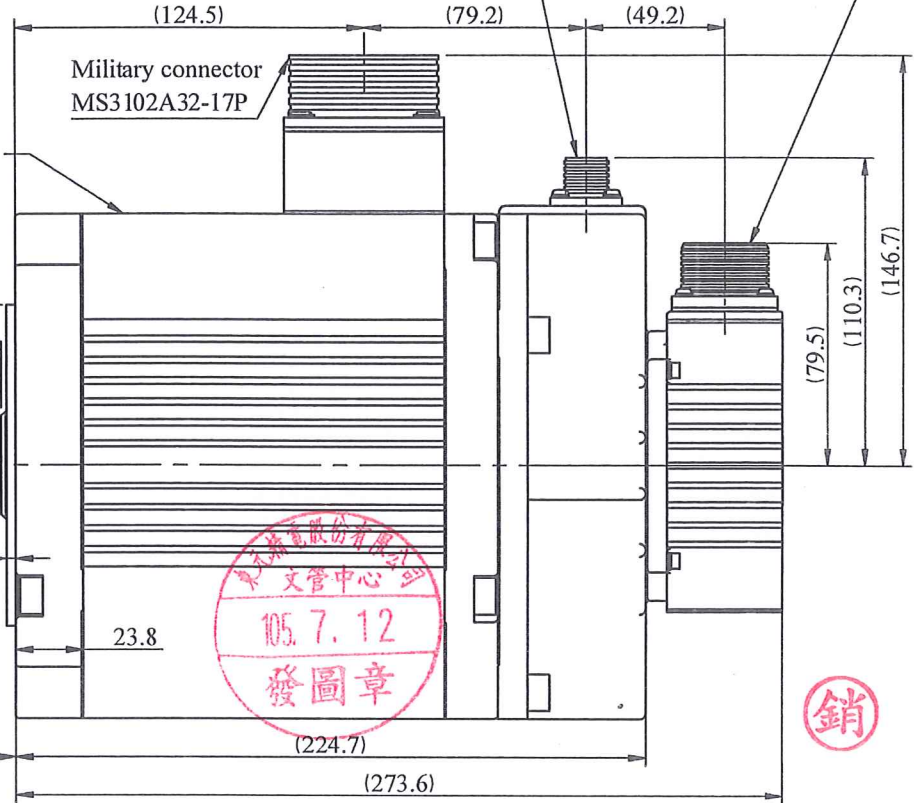
Name Plate for Spec



Name Plate for Notice



Name Plate for Spec



NOTE:  
 Motor to be IP67.  
 (excluding the shaft opening & connectors)

STANDARD TOLERANCE		APVD	SCALE	UNIT	NAME
X	$\pm$ 0.5	<i>ZS</i>		m m	Servo Motor Outline Drawing
.X	$\pm$ 0.2	<i>Michelle</i>			
.XX	$\pm$ 0.05		3RD .A.P		TITLE JSMA-PIH44AAKB
ANGLE	$\pm$ 30'				
MATERIAL	REV	DESCRIPTION	SIGNATURE	DATE	SIGNATURE
	01	1S16706-04 Chase	DWN	6-8-16	Chin



Dept. Design DWG.NO. D01B18442H3B3AD01